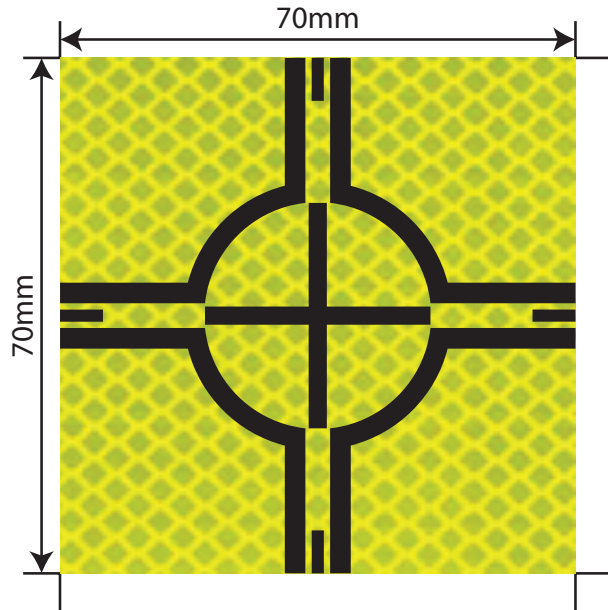
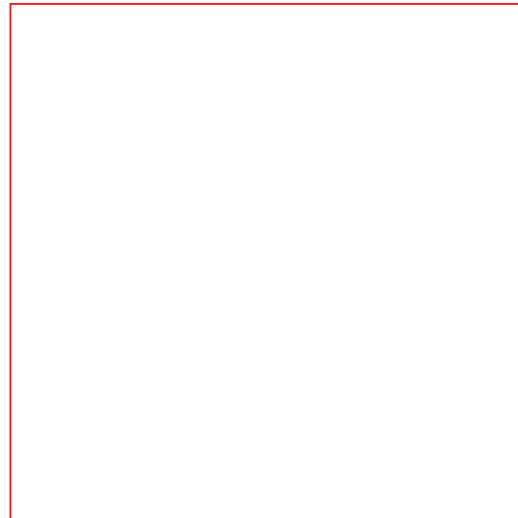


Print Detail



Cut Path



BEX INTERNAL USE

DRAWING APPROVED:

CUT PATH FILE SAVED:

ADH FILE SAVED

DRAWING TO PART MATCH



* O V E R R I D E *

Print

Reflective

COLOURS: Black

DRAWN BY: S. Murphy
DATE: 23/07/19

TOLERANCES: +/- 0.2mm
SCALE: 1:1 A4

MATERIAL:
Free Issue Reflective Yellow

ADHESIVE:
Self Adhesive

| | | | |
|-------|----------|------------|---|
| S2 | 21/02/22 | S. Murphy | Target design updated |
| S1 | 23/07/19 | | |
| ISSUE | DATE | CHANGED BY | DESCRIPTION CHANGE |
| | | | BEX DRAWING No: Pos 27,069 |
| | | | CUSTOMER NAME: Pathfinder |
| | | | CUSTOMER DRAWING No: Retro Targets 70mm |

FRONT

NOTE: Bex Design & Print cannot accept responsibility for errors in an approved drawing, it is customers responsibility to ensure that all details are correct. The information & recommendations on the use of our products are offered in good faith but do not constitute specifications. We would ask that you conduct your own tests to their suitability for your applications. Bex Design cannot accept any responsibility for liability, direct or consequential for loss or damage caused as a result of our recommendations.