

A B C D E F G H I J K

1
2
3
4
5
6
7
8


BEX INTERNAL USE

DRAWING APPROVED: _____

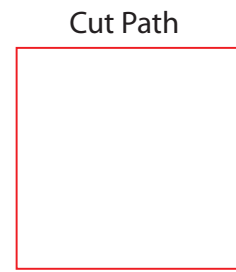
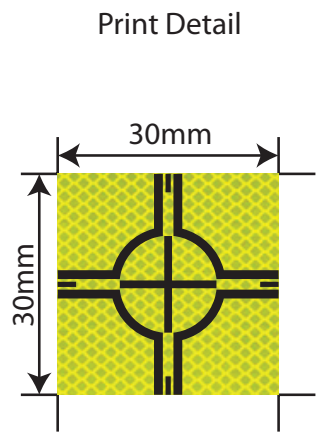
CUT PATH FILE SAVED: _____

ADH FILE SAVED _____

DRAWING TO PART MATCH



* O V E R R I D E *



Print

Reflective

S3	21/02/22	S. Murphy	Target design updated
S2	22/07/19	S. Murphy	Cross amended to run through the label
S1	09/05/19		
ISSUE	DATE	CHANGED BY	DESCRIPTION CHANGE
			BEX DRAWING No: Pos 26,729
			CUSTOMER NAME: Pathfinder
			CUSTOMER DRAWING No: Targets 30mm

COLOURS: Black _____

DRAWN BY: S. Murphy
DATE: 09/05/19

TOLERANCES: +/- 0.2mm SCALE: 1:1 A4

MATERIAL: Free Issue Reflective Yellow

ADHESIVE: Self Adhesive

FRONT

NOTE: Bex Design & Print cannot accept responsibility for errors in an approved drawing, it is customers responsibility to ensure that all details are correct. The information & recommendations on the use of our products are offered in good faith but do not constitute specifications. We would ask that you conduct your own tests to their suitability for your applications. Bex Design cannot accept any responsibility for liability, direct or consequential for loss or damage caused as a result of our recommendations.